

CPA COMPLIANCE VERIFICATION

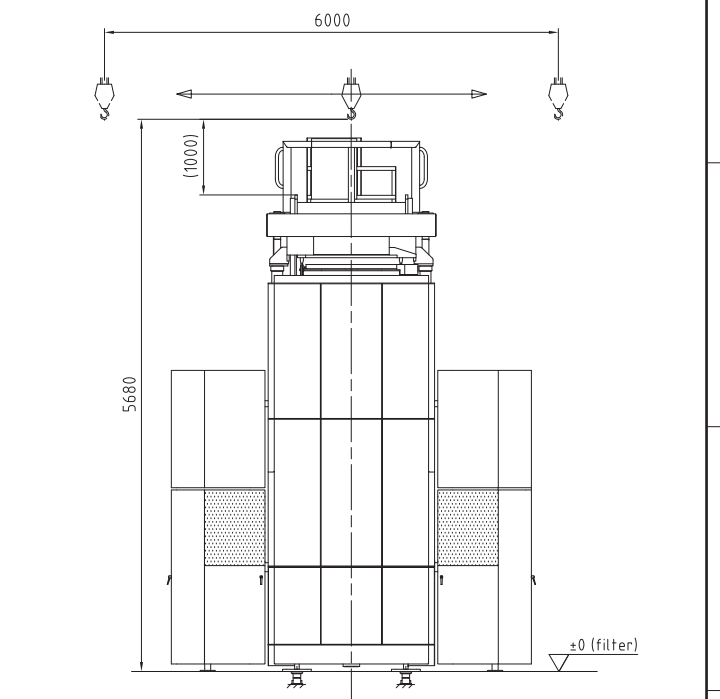
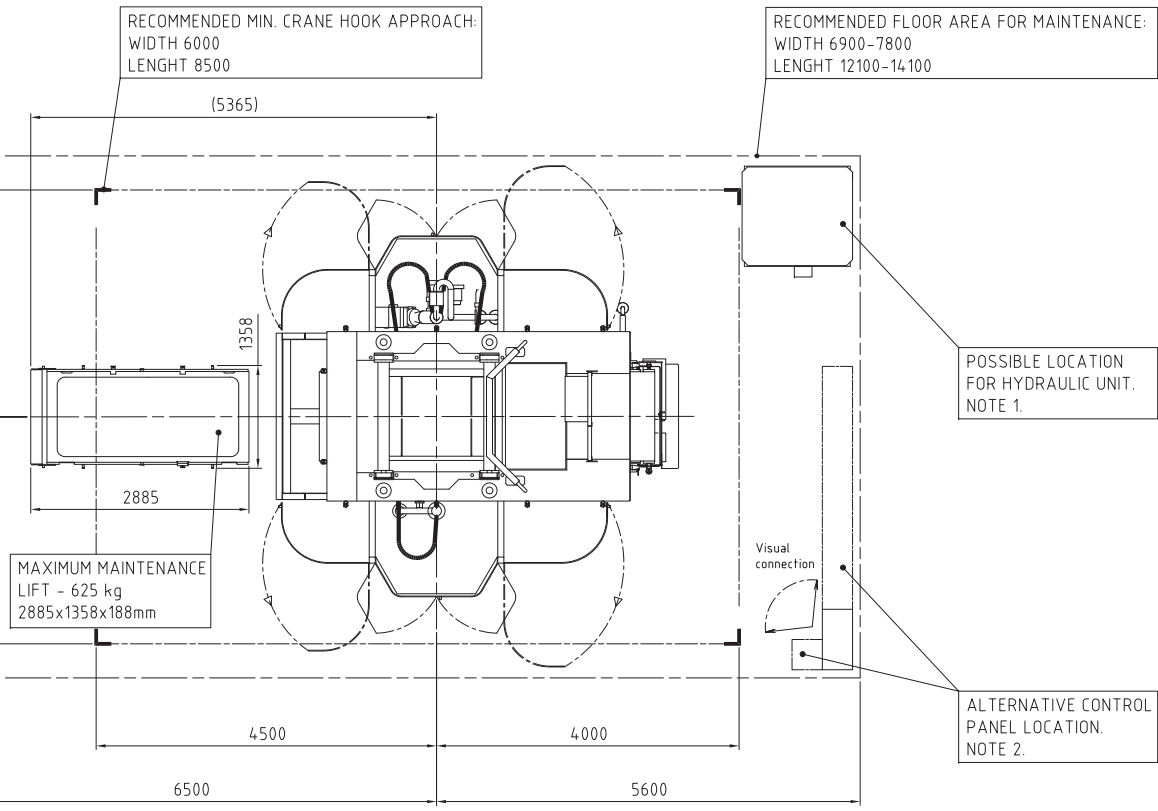
SCOPE OF VERIFICATION
 TECHNICAL COMPLIANCE WITH RESPECT TO CONTRACTUAL REQUIREMENTS
 OTHERS:

FINDING
 REFER TO COMMENTS ON THE DOCUMENT
 OTHERS:

RECOMMENDATION
 WORK MAY PROCEED
 RE-REVIEW & RESUBMIT, WORK MAY PROCEED SUBJECT TO INCORPORATION OF CHANGES
 RE-REVIEW & RESUBMIT, WORK MAY NOT PROCEED
 RE-REVIEW NOT REQUIRED, WORK MAY PROCEED
 CANCELLED/SUPPRESSED

REF: 2018/06/13
 SIGNATURE: *Mitchell Baldwin*
 NAME: MITCHELL BALDWIN
 NO: 5078976
 DATE: 2018/06/13

THE VERIFICATION IS RESTRICTED TO THE ONE INDICATED AND DOES NOT IN ANY WAY CONSTITUTE AN ENDORSEMENT OR COMPLETE DESIGN VERIFICATION. IT DOES NOT IN ANY WAY RELEASE THE PERSON OR COMPANY WHO PREPARED IT FROM LIABILITY OR OBLIGATIONS OF ANY NATURE WHATSOEVER. 9855002-000001 7-00-V00-0017-001



CRANE HOOK REQUIREMENTS

- Crane for normal maintenance work min 2t
- Crane size needed for disassembly of heavy parts min 5t
- Crane size needed for first installation depends selected transportation package size.

NOTE 1
 Hydraulic unit location as shown is not fixed and alternative positions can be used. Visual connection from the hydraulic unit to the filter is useful but not essential. The hydraulic unit should be protected from dust, weather and spills. The location of the hydraulic unit should be such that the length of hydraulic connection lines is less than 15 m.

NOTE 2
 Where there is a control room close to the filter the panel can be located there. Visual connection from the control panel to the filter is useful but not essential.

1	TomKan	23.05.2018	AntMuu	24.05.2018	AntMuu	24.05.2018	Updated according customer notes							
0	TomKan	25.01.2018	TomKan	25.01.2018	AntMuu	25.01.2018	Issued for Approval							
REV.	NAME	DATE	NAME	DATE	NAME	DATE	REVISION TEXT							
	PREPARED		CHECKED		APPROVED									
STATUS							UNITS	SCALE	SIZE					
Issued for Approval							mm	1:50	A2					
							SITE NO.							
PROJECT NAME							CUSTOMER DOCUMENT NO.							
DP-170017							T01-OUT-3510-01-DWG-1054							
REPLACED BY							REPLACES							
							LANGUAGE							
							EN							
EQUIPMENT NO.							DOCUMENT TITLE							
PF1225							ME017 Concentrate Filter Press							
PROJECT ID							Equipment General Arrangement							
							Recommended Layout							
							PF1225, PF30/35 M15 160							
							TAG: FIL-0501							
PLANT CODE							DOCUMENT TYPE		COUNTING NO.		REVISION		SHEET OF SHEETS	
											1		1 / 1	
The content of these documents are the sole property of Outotec Oy. Any rights not expressly granted herein are reserved. Reproduction, transfer or distribution of part or all of the contents in any form without prior written permission of Outotec is prohibited.														
ENTREPRENEUR/ISSUER:							ENTREPRENEUR/CONTRACTOR:							
Outotec														
TITRE/TITLE:							ME017 Concentrate Filter Press							
							Equipment General Arrangement							
							Recommended Layout							
							TAG: FIL-0501							
CONÇU PAR/DESIGNED BY:							PRÉPARE PAR/PREPARED BY:							
TomKan							TomKan							
VÉRIFIÉ PAR/VERIFIED BY:							APPROUVÉ PAR/APPROVED BY:							
AntMuu							AntMuu							
N° CLIENT/CLIENT NUMBER:							DATE/DATE:							
OU750009112							May 24th, 2018							
N° PROJET/PROJECT NUMBER:							ECH/SC:		FEU/SHT		FORMAT		REV.	
T01-OUT-3510-01-DWG-1054							1:50		1/1		A2		AB	

STAT / STATUS:		APPROUVÉ / APPROVED		LES TRAVAUX PEUVENT CONTINUER / WORK MAY PROCEED	
AC:		APPROUVÉ AVEC COMMENTAIRES / APPROVED WITH COMMENTS		RÉVISER, LES TRAVAUX PEUVENT CONTINUER CONDITIONNELLEMENT À L'INCORPORATION DES COMMENTAIRES / RESUBMIT, WORK MAY PROCEED SUBJECT TO INCORPORATION OF CHANGES	
R:		REJETÉ / REJECTED		RÉVISER, LES TRAVAUX DOIVENT ÊTRE ARRÊTÉS / RESUBMIT, WORK MAY NOT PROCEED	
NREVUE NON REQUISE / REVIEW NOT REQUIRED		LES TRAVAUX PEUVENT CONTINUER / WORK MAY PROCEED			
DESSIN No/DRAWING NUM		DESCRIPTION/DESCRIPTION		No REV.	
				RAISON/PURPOSE	
				PRÉP.PAR./PREP.BY	
				VÉRIF.PAR./VERIF.BY	
				DATE	
				REGISTRE DES ÉMISSIONS / ISSUE REGISTER	